

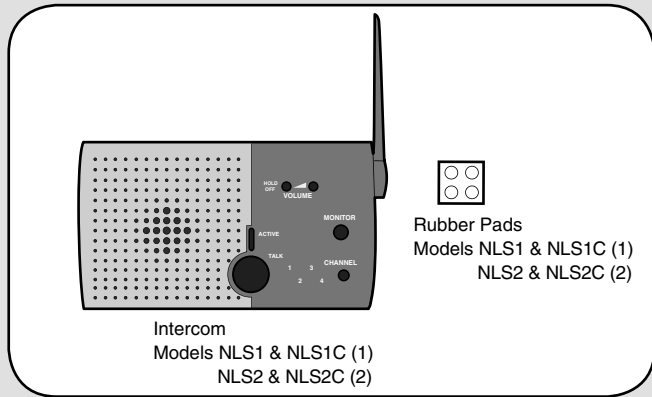
# CHAMBERLAIN®

## Models NLS1, NLS2, NLS1C & NLS2C Wireless Portable Intercom - Extreme Range

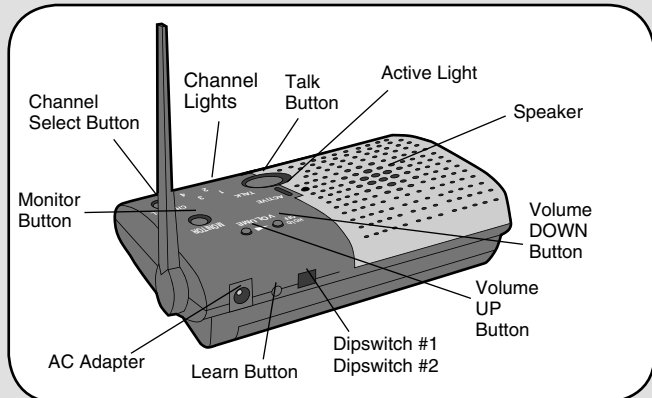
### Overview

The Intercom has up to a 1000 foot (300 m) range and allows multiple simultaneous conversations, using a 900 MHz secure digital radio link. The intercoms form an exclusive network and respond only to other intercoms in the network.

### Carton Inventory



### Operation & Features



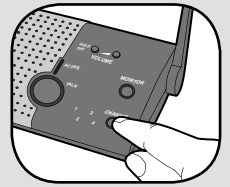
**On/Off:** To turn intercom ON, press Talk button. To turn intercom OFF, hold down the Volume DOWN button for 3 seconds.

**Talk Button:** To talk, hold down the Talk button. All intercoms in the network that are on the same channel will receive the signal. Release the Talk button when done talking and within 10-15 seconds press and hold the Talk button of a different intercom to make a secure channel between the two. Once the channel is made the other intercoms in the network cannot hear the conversation.



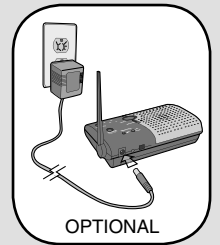
**Volume:** Pressing the Volume DOWN button will lower the volume and pressing the Volume UP button will increase the volume.

**Channel Select Button:** Press the Channel Select button to set intercom to one of four secure channels or the paging channel. The default channel for the intercom is the paging channel where all four channel lights are lit. An intercom on a channel can only hear an intercom on the same channel or on the paging channel.



**Battery:** The AA Alkaline batteries (not provided) will last up to a year depending on use. When batteries are low intercom will emit three beeps every ten minutes.

A DC Adapter (not provided) can also be used to power the intercom. In this case, the channel lights will remain on.



**Conference Mode:** Conference Mode allows multiple intercoms to participate in a conversation compared to Normal Mode in which only two intercoms can communicate. All intercoms must be set to the same channel or the paging channel to be in Conference Mode. To put intercom in Conference Mode set Dipswitch #2 to UP position.



**Monitor Mode:** Monitor Mode is used to monitor the noise in a specific room. Place the intercom in the room that is to be monitored and press the Monitor button until a tone is heard. For extended Monitor usage, consider using a plug-in transformer. Any other networked intercom can listen to that room. If a specific channel is selected for Monitor Mode then only other intercoms on that channel or on the paging channel can listen. Press the Talk button to exit Monitor Mode. A tone will be heard indicating Monitor Mode is no longer active.

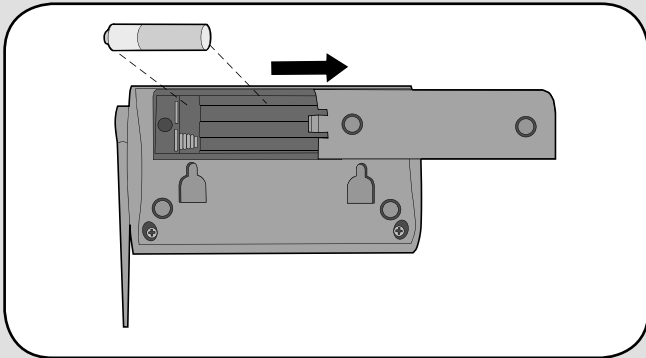


**Voice Activation Mode (VOX):** Voice Activation Mode (VOX) allows a call to be answered without pressing the Talk button. Once a call is heard on an intercom which has been set to VOX, a response can be given by speaking loudly into the intercom. There will be a slight delay when VOX is first activated by a voice, but will continue to transmit audio until the speaking stops. To put intercom into VOX, place Dipswitch #1 to the UP position. While in VOX mode, a call may be initiated by pressing the TALK button.



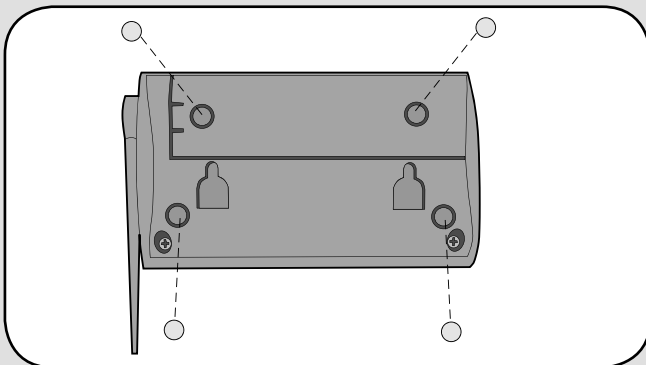
## Assemble Intercom

### Step 1



Install 4 AA Alkaline batteries (not provided).

### Step 2

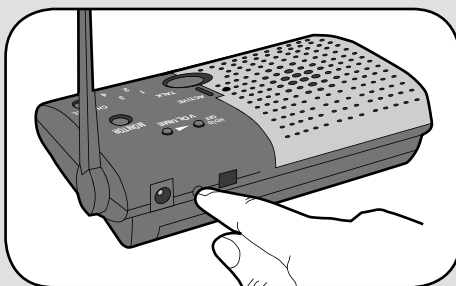


Adhere rubber pads to bottom. Repeat Steps 1 and 2 for any additional intercoms.

## Programming Intercom

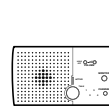
The intercom must be programmed to at least one other intercom to become a network or it can be programmed into an existing network.

### Create New Network



Before programming, clear memory on all intercoms. Press the Learn button on the new intercom until a beep is heard. Within 10 seconds put the second intercom into Learn Mode (refer to the following table).

#### INTERCOM



OR

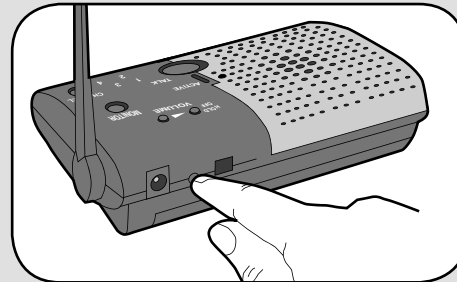


#### LEARN MODE

Press the Learn button until a beep is heard.

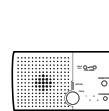
Each intercom will emit a tone when entering programming mode. It may take up to 3-1/2 minutes for a secure network to be established. Repeat for any additional intercoms.

### Add to an Existing Network

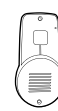


Press the Learn button on the new intercom until a beep is heard. Within 10 seconds put any networked intercom into Learn Mode (refer to table below).

#### INTERCOM



OR

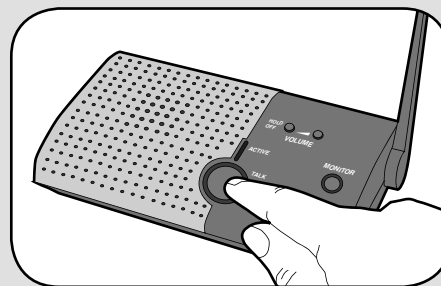


#### LEARN MODE

Press the Learn button until a beep is heard.

Each intercom will emit a tone when entering Programming Mode. It may take up to 3-1/2 minutes for a secure network to be established. Repeat for any additional intercoms.

**NOTE:** Do not program new intercoms to each other before adding them to the network or they will form a separate network and the memory will need to be cleared.



Press and release the Talk button to verify network is complete.

## Troubleshooting

### **Intercom does not function.**

Check batteries in intercom. If using a DC Adapter ensure that it is plugged in.  
Ensure intercom is connected to a network.  
See Programming Intercom.  
Ensure that intercoms are on the same channel.  
See Operation & Features.

### **Intercom is not getting expected transmission range.**

Keep antenna vertical. Keep intercom away from metal objects and electrical wiring. Cell phones, cordless phones, or other radio devices may also limit range.

### **Intercom beeps every ten minutes.**

The battery is low in the intercom. Replace with AA Alkaline batteries or operate it with DC Adapter (not provided). A 12 Volt, 300mA DC Adapter may be used (center positive polarity on the round plug).

### **Static and feedback is heard in intercom.**

The intercoms are too close to each other. A cordless phone, cell phone, or other radio devices can also cause static.

### **The intercom does not connect to another intercom and a green light is on longer than 3-1/2 minutes.**

The intercom is out of range. Place the intercom closer to the other intercoms in the network, with the antenna pointing up.  
The other intercom in the network has no power. Replace the batteries.  
The intercom has not completed programming. Clear the intercom's memory and reprogram.

### **Need to clear intercom's memory.**

Press and hold Learn button, an initial beep will be heard. Continue to hold until a second beep is heard (about 6 seconds). Ensure other intercoms are not activated during this time. Once memory is clear the intercom can be programmed to a new network.

### **Intercom is sending audio while no buttons are pressed.**

The sending intercom is set to Monitoring Mode or Voice Activation Mode and will activate when sound is heard. It can be taken out of Monitoring Mode by pressing the Talk button. It can be taken out of Voice Activation Mode by setting Dipswitch #1 to DOWN position.  
See Operation & Features.

### **Intercom can not be programmed to network.**

A network may contain up to 12 intercoms or doorbells. It may be necessary to clear the network and reprogram all the intercoms to the network.  
See Programming Intercom.

**NOTE:** *Manufacturer is not responsible for any radio or TV interference caused by unauthorized modifications to this equipment. Changes or modifications not expressly approved by the manufacturer could void the authority to operate the equipment.*

## One Year Limited Warranty

The Chamberlain Group, Inc. warrants to the first retail purchaser of this product that it is free from defect in materials and/or workmanship for a period of 1 year from the date of purchase.

This equipment has been tested and found to comply with the limits for a Class B digital device, pursuant to Part 15 of the FCC Rules. These limits are designed to provide reasonable protection against harmful interference in a residential installation. This equipment generates, uses and can radiate radio frequency energy and, if not installed and used in accordance with the instructions, may cause harmful interference to radio communications. However, there is no guarantee that interference will not occur in a particular installation. If this equipment does cause harmful interference to radio or television reception, which can be determined by turning the equipment off and on, the user is encouraged to try to correct the interference by one or more of the following measures:

- Reorient or relocate the receiving antenna.
- Increase the separation between the equipment and receiver.
- Connect the equipment into an outlet on a circuit different from that to which the receiver is connected.
- Consult the dealer or an experienced radio/TV technician for help.

## Optional Accessory

41B238      12 Vdc 300mA Adapter

**FOR TECHNICAL SUPPORT DIAL OUR TOLL FREE NUMBER:**

**1-800-528-9131**

**[www.chamberlain-DIY.com](http://www.chamberlain-DIY.com)**

NOTICE: To comply with FCC and or Industry Canada rules (IC), adjustment or modifications of this receiver and/or transmitter are prohibited, except for changing the code setting or replacing the battery. THERE ARE NO OTHER USER SERVICEABLE PARTS.

Tested to Comply with FCC Standards FOR HOME OR OFFICE USE. Operation is subject to the following two conditions: (1) this device may not cause harmful interference, and (2) this device must accept any interference received, including interference that may cause undesired operation.