

DA-500LKA Relay Box Accessory for DA-500 Models

DA-500LKA Relay Box is a relay box that *allows additional devices to be controlled* by a Mier Drive-Alert. The RED and BLACK wires connect to a Drive-Alert to momentarily close C (dry) relay contacts when the Drive-Alert detects a vehicle.

When attaching a DA-500LKA to a DA-500 Drive-Alert (see Figures A & B) the whistle switch on the control panel must be in the ON position. [NOTE: If you do not want the Whistle to be ON, then a jumper wire must be placed from "24 VDC," Terminal 5, to "C", Terminal 8, on the control panel]

EXAMPLE INSTALLATION - Hooking up a DA-606 Wireless Light Kit to a DA-500 using a DA-500LKA:

When a DA-500 model Drive-Alert detects a vehicle, a signal continues through the DA-500LKA which triggers a DA-606 Remote Control Accessory to activate Mier accessory light switches, lamp modules, and/or heavy-duty outlets (see Figures A & B).

The **DA-606 Remote Control** (see Figure B) is triggered by a relay closure in a Drive-Alert control panel. It easily hooks up to a DA-600 Wireless Drive-Alert or a DA-605 Wireless Drive-Alert (sold separately). **However, if using a DA-500 Buried Sensor Drive-Alert (see below, sold separately) you must also use this additional DA-500LKA Light Kit Adapter.**

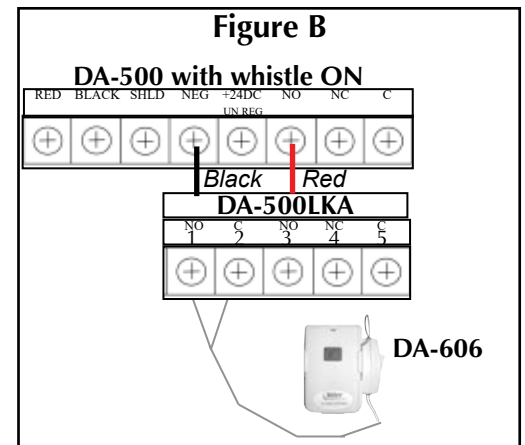
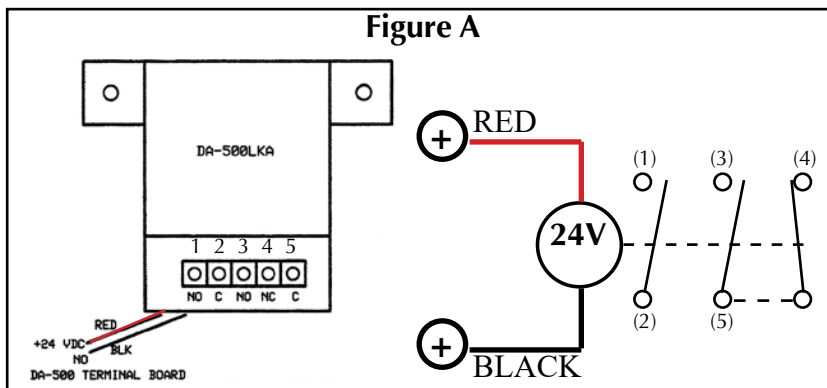
When the DA-500 with a DA-500LKA to trigger a DA-606, the GRAY wires from the DA-606 Remote Control should be connected to the first two (2) terminals on the DA-500LKA Relay Box, marked NO and C. The BLACK wire from the DA-500LKA is attached to Terminal 5 on the DA-500 Drive-Alert control panel marked "NEG," and the RED wire is attached to the Terminal 6 on the DA-500 Drive-Alert marked "NO." The other terminals on the DA-500LKA Relay Box can be used for other devices if needed.

The DA-606 will then transmit a UHF (318 MHZ) coded radio signal to activate the installed DA-071 Wireless Light Switch (sold separately), DA-072 Lamp Module (sold separately), and/or DA-073 Heavy Duty Outlet (sold separately) for the specific time interval that was set. After the preset time interval, the devices will turn off.

The signal path from the DA-606 to any DA-071, DA-072, and DA-073 devices must be unobstructed by metal objects such as large appliances, or mirrors. Such objects in the signal path may block the activating signals. If the devices are not working when a Drive-Alert detects a vehicle, in most cases the problem will be solved by moving the DA-606, and/or the devices, so there is a clear signal path. Use the "TEST" push-button on the DA-606 to verify operation.

The DA-606 fits into the magnetic base cradle and attaches to the Drive-Alert control panel.

The cradle switch on the DA-606 (see Figure B) should be **ON to enable the Drive-Alert control of the lights**. If you wish to control the lights manually, and bypass Drive-Alert activation of those lights, such as leaving the lights on during a party so arriving guests' cars won't turn the lights on and off, turn this cradle switch OFF and the Drive-Alert will have no effect on the lights. Other devices controlled by the Drive-Alert will operate as usual.



Contact us for free installation and technical support:



800-473-0213 | info@mierproducts.com | www.mierproducts.com

