

### **DA-505 TIMER CONTROL INSTRUCTIONS**

The DA-505 Timer Control is an optional feature for the Drive-Alert. This DA-505 Timer, when wired to a Drive-Alert master control panel and plugged into a 120 volt wall receptacle, will automatically turn on a maximum load of 10 amps worth of lights, sirens, surveillance equipment, or other warning devices when the Drive-Alert's sensor is activated. These warning devices will remain "on" for the amount of time you designate in the DA-505 Timer Control panel – adjustable from 1 to 45 minutes.

#### **DA-505 TIMER CONTROL INSTALLATION:**

1. Remove hood screws and hood from Timer Control
2. Using 3 wires of at least 22 gauge, 24 inches long, slide the wire through the grommet of the Timer Control and attach to the terminal block inside as shown in wiring diagram "A."
3. Connect the other end of the wires to the Drive-Alert terminal block as shown in diagram "A."
4. Replace the hood and hood screws of the DA-505 Timer Control and plug both it and the Drive-Alert into a 120 VAC receptacle. The Drive-Alert and Timer Control must be separated at least 24 inches.
5. Plug the warning devices into the receptacle on the bottom of the DA-505 Timer Control.
6. Push the rocker switch on the Timer Control to "Reset." The switch will automatically spring to timer position and the unit is ready for operation.

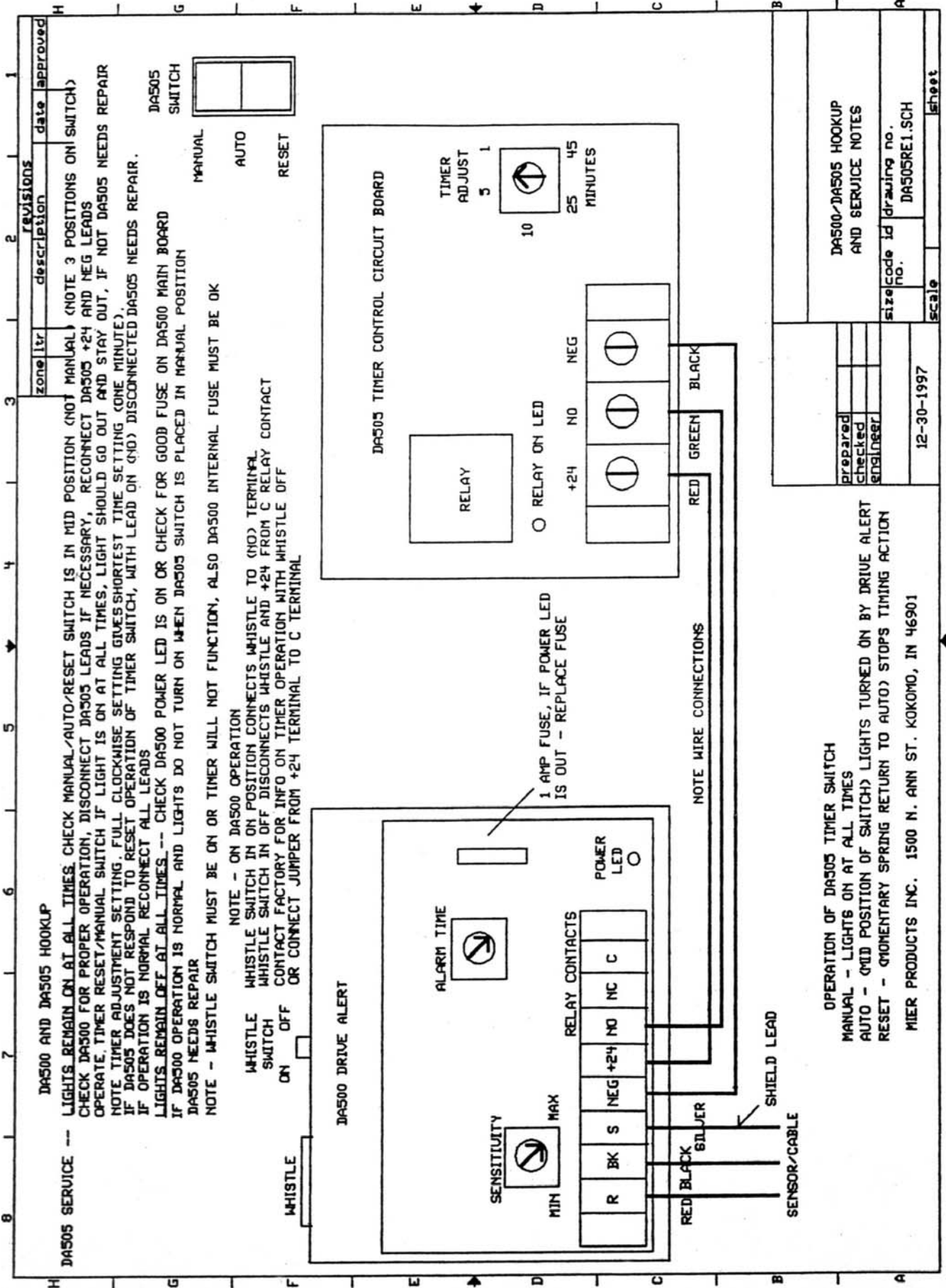
#### **DA-505 TIMER CONTROL OPERATION:**

1. When the DA-500 Drive-Alert is activated by moving metal, any connected wiring device plugged into the Timer Control receptacle will activate for approximately one minute.
2. If a long period of time is desired for the warning devices to remain activated, unplug the Timer Control and Drive-Alert from 120 VAC. Remove the hood of the Timer Control and make adjustments as shown on diagram attached to the inside of the Timer Control hood.

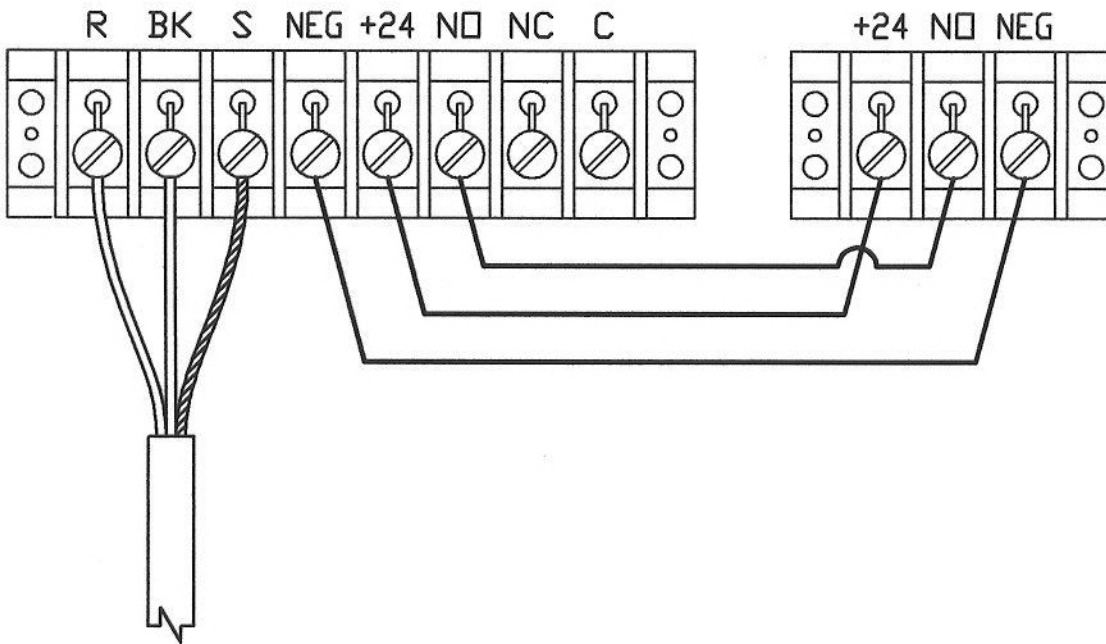
#### **NOTE: Disconnect the Timer Control from 120 VAC before adjusting or connecting wires!**

3. The Rocker switch on the Timer Control may be pushed to "manual" to keep the warning devices "on" continuously.
4. To reset the warning devices before the timed period has elapsed or to take the Timer Control out of "Manual" position, simply push the spring-loaded "Reset" side of the rocker switch and the warning devices are again ready to activate.

# Diagram A



**Diagram B**



**DA-505 Timer Control Limited Warranty:**

Mier Products, Inc.'s Limited Warranty Program, for Drive-Alert models and accessories, protects the original owner for one year from the date of purchase against defects in original parts or workmanship. Mier Products, Inc. agrees to repair or replace parts (Mier's option) that are deemed defective by our Quality Control Team, without charge for parts or labor, if the defective unit is returned prepaid to Mier Products, Inc., Kokomo, IN, 46901, within the one year period.

Close inspection at the time of receipt by the customer will quickly determine product quality. Thus, Mier Products, Inc. recommends inspection of Drive-Alert models and accessories immediately upon receipt and contacting Mier Products, Inc. if quality issues arise.

Mier Products, Inc. does not assume responsibility for claims or damages caused by improper installation or use of these products, accessories, and/or products connected to or stored within them. Mier Products, Inc. does not assume responsibility for damages to these products or their accessories due to shipping damage or damage occurring while in a customer's warehouse and/or possession. Mier Products, Inc. does not assume responsibility for damage due to accident, faulty wiring, overload of Drive-Alert or Drive-Alert accessory output, or components attached to the Drive-Alert parts.

Drive-Alert models and accessories must be shipped, handled, stored, and installed with strict adherence to OEM installation instructions.

This warranty constitutes the entire warranty with respect to Mier's Drive-Alert Models and Accessories and IS IN LIEU OF ALL OTHERS, EXPRESSED OR IMPLIED, INCLUDING ANY WARRANTY OR MERCHANTABILITY AND WARRANTY OF FITNESS FOR A PARTICULAR PURPOSE AND IN NO EVENT IS MIER PRODUCTS, INC., OR IT'S OEM PARTNERS, RESPONSIBLE FOR ANY CONSEQUENTIAL DAMAGES OF ANY NATURE WHATSOEVER.

Any warranty OR sales questions should be directed to Mier Products at 800-473-0213, or via e-mail to [info@mierproducts.com](mailto:info@mierproducts.com)

Repair work not covered by this Warranty is available for a nominal charge.