

### Wireless Video Door Phone

#### DP-236Q

Introducing the **ENFORCER®** Wireless Video Door Phone: the handheld home entry solution. Observe visitors on the large 3<sup>3</sup>/<sub>8</sub>" screen as they arrive, communicate with them, take photos for later viewing, and unlock a gate to grant entry – all from the wireless monitor. Use up to three monitors for viewing anywhere in the home. And with the camera's wide 120° viewing angle, you don't have to compromise on convenience or security.

#### Features:

- Talk with visitors and unlock doors or gates via the monitor
- Handheld monitor's rechargeable battery allows convenient communication with visitors while moving around the premises
- Wide 3<sup>3</sup>/<sub>8</sub>" monitor screen for enhanced viewing
- Connect up to two additional monitors (sold separately)
- Includes a kickstand and charging base for the monitor
- Egress input allows the door phone to be connected with a Request-to-Exit Plate or other egress device
- 9~16 VAC/VDC Operation – connects to most doorbell circuits
- Wide 120° camera viewing angle
- Camera's built-in PIR sensor takes photos of approaching visitors
- Up to 100 images can be stored in memory
- Camera has built-in LEDs for nighttime operation
- Camera is IP55 rated for outdoor use
- Tamper switch triggers alarm if camera is removed from its base
- Four programmable doorbell tones



#### Unlocks Doors

Allows access remotely via the monitor



#### Wireless Operation

Range: Up to 492ft (150m)\*



#### 1 Camera, 3 Monitors

Pair up to three monitors with one camera

#### Specifications:

Camera		
Type	Color Camera	
Chip	CMOS	
Resolution	480 TV Lines	
Lens	2mm	
Viewing angle	120°	
Operating voltage	9~16 VAC/VDC	
Relock delay	1~6 s	
Relay output	3A@250VAC/30VDC	
Current draw	Active	200mA@4.2VDC
	Standby	3mA@4.2VDC
Battery life	Active	3 Hours
	Standby	300 Hours (12.5 days)
PIR Detection range	9' (3m)	
PIR Detection angle	138°	
Dimensions	5 <sup>11</sup> / <sub>16</sub> "x3 <sup>1</sup> / <sub>8</sub> "x2 <sup>3</sup> / <sub>8</sub> " (144x80x60 mm) with bracket	
Weight	4.3-oz (122g)	
Operating temperature	14°~122° F (-10°~50° C)	

Monitor		
Display	3 <sup>3</sup> / <sub>8</sub> " (86mm) TFT	
Operating voltage	5VDC (Battery)	
Current draw	Active	220mA@4.2VDC
	Standby	3mA@4.2VDC
Battery life	Active	3 Hours
	Standby	500 Hours (20 days)
Operating frequency	2.4GHz	
Wireless range	492' (150m)*	
Dimensions	5"x3 <sup>3</sup> / <sub>8</sub> "x1 <sup>1</sup> / <sub>8</sub> " (127x85x22 mm)	
Weight	3.9-oz (110g)	
Operating temperature	32°~104° F (0°~40° C)	

\*Line-of-sight range. Actual range may vary depending on the installation and operating environment.

**SECO-LARM® U.S.A., Inc.**

16842 Millikan Avenue, Irvine, CA 92606

Phone: (949) 261-2999 | (800) 662-0800 Fax: (949) 261-7326

Website: www.seco-larm.com Email: sales@seco-larm.com



Copyright 2014 © SECO-LARM U.S.A., Inc. All rights reserved.

The SECO-LARM policy is one of continual development. For that reason, SECO-LARM reserves the right to change prices and specifications without notice. SECO-LARM is not responsible for misprints.

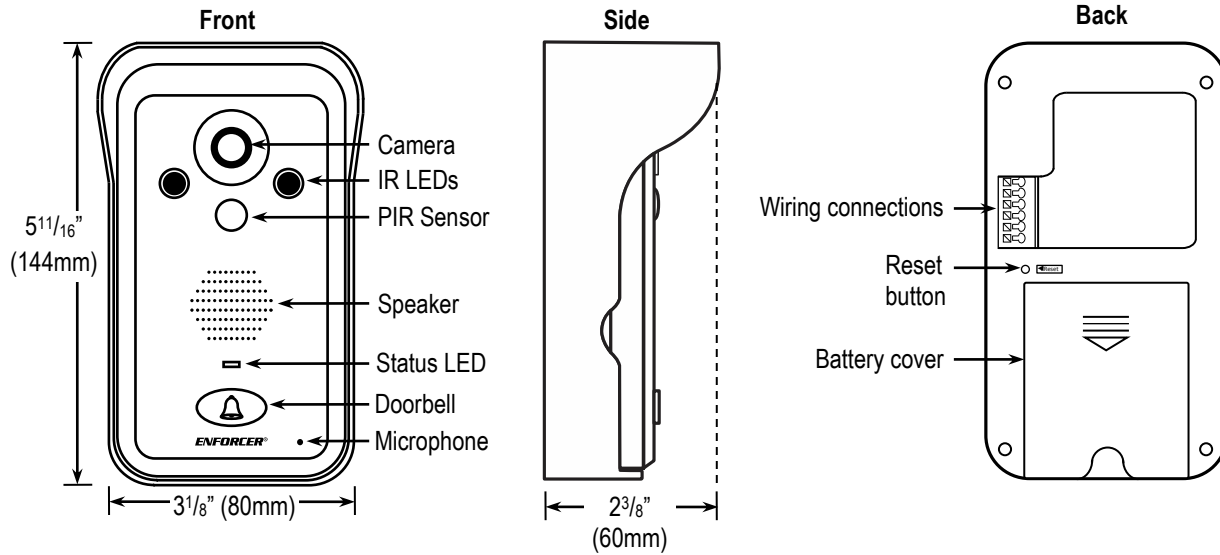
**SECO-LARM® ENFORCER® CRIMEBUSTER® CBSLI®**

Pi\_DP-236Q\_1403.docx

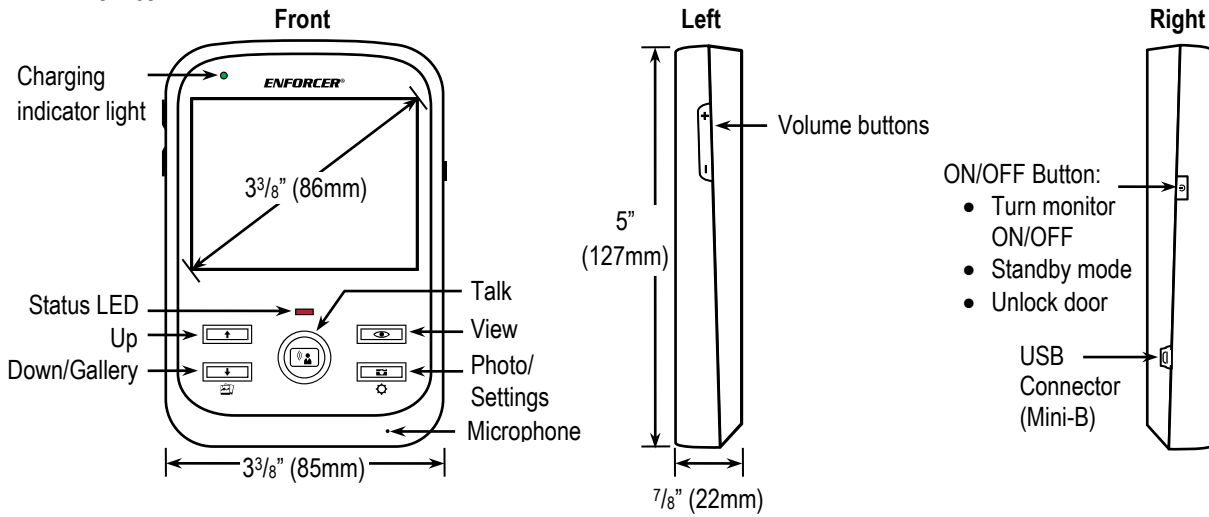
## Wireless Video Door Phone

### Overview:

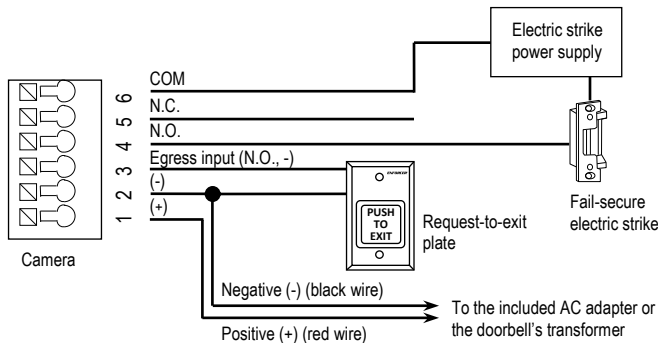
#### Camera



#### Monitor



### Sample Connector Wiring:



### Optional Accessories:

<p><b>DP-236-MQ</b> Additional Monitor</p>	
<p><b>DP-236-BQ</b> Replacement battery</p>	

**SECO-LARM® U.S.A., Inc.**

16842 Millikan Avenue, Irvine, CA 92606

Phone: (949) 261-2999 | (800) 662-0800 Fax: (949) 261-7326

Website: www.seco-larm.com Email: sales@seco-larm.com



Copyright 2014 © SECO-LARM U.S.A., Inc. All rights reserved. The SECO-LARM policy is one of continual development. For that reason, SECO-LARM reserves the right to change prices and specifications without notice. SECO-LARM is not responsible for misprints.

**SECO-LARM® ENFORCER® CRIMEBUSTER® CBSLI®**