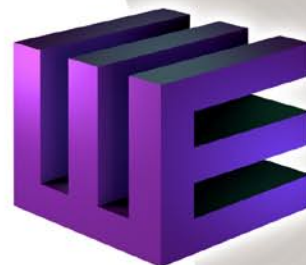


ACCESSORY



REMOTE ANNUNCIATOR

Model Number: BZ-1
Part Number: 1175

Accessory for:

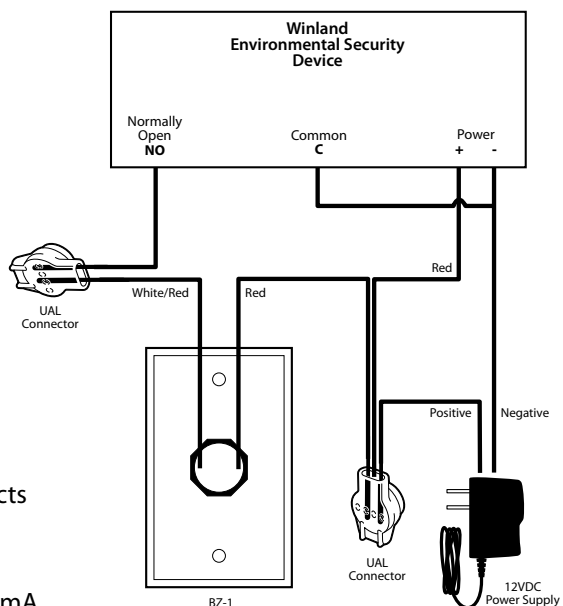
EnviroAlert EA200-12
EnviroAlert EA200-24
EnviroAlert EA400-12
EnviroAlert EA400-24
EnviroAlert EA800
WaterBug 200
WaterBug 800
Vehicle Alert

Applications:

Additional audible notification points for products

Specifications:

Power Requirements:	12VDC @ 4.5mA 24VDC @ 9mA
Sound Output:	2800 Hz \pm 15% continuous
Sound Pressure Level @ 1' (0.3 m):	12VDC - 90 db 24VDC - 95 db
Operating Temp:	-40° to +176°F (-40° to +80°C)
Dimensions:	4.5 x 2.75 x 0.23" (11.43 x 6.99 x 0.58 cm)
Weight:	0.65 lb (0.3 kg)
Mounting:	Standard 1-gang switch mounting box




WINLAND
ELECTRONICS, INC.

Mankato, MN
www.winland.com
800-635-4269

